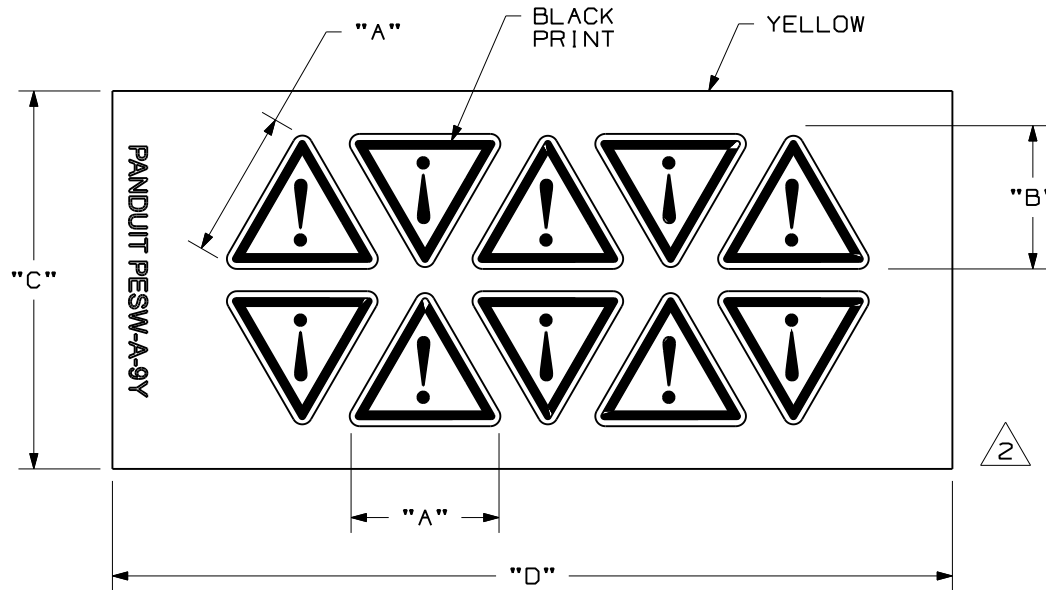


THIS COPY IS PROVIDED ON A RESTRICTED BASIS AND IS NOT TO BE USED IN ANY WAY DETRIMENTAL TO THE INTERESTS OF PANDUIT CORP.

PART NAME	NUMBER OF LABELS PER CARD	"A"	"B"	"C"	"D"
PESW-A-*Y	10	.430 [ 11.01 ]	.41 [ 10.4 ]	1.125 [ 28.6 ]	2.50 [ 63.5 ]
PESW-B-*Y	10	.900 [ 22.86 ]	.785 [ 19.9 ]	2.00 [ 50.79 ]	5.00 [ 127.0 ]
PESW-C-*Y	10	1.820 [ 46.23 ]	1.61 [ 40.9 ]	4.375 [ 111.1 ]	10.00 [ 254.0 ]
PESW-D-*Y	3	3.650 [ 92.71 ]	3.20 [ 81.3 ]	4.00 [ 101.6 ]	10.00 [ 254.0 ]
PESW-E-*Y	1	7.280 [ 185 ]	6.82 [ 173.2 ]	N/A	N/A

NOTES:  
 1. MILLIMETER ARE IN [ ].  
 2. 10 CARD PER PACKAGE.

PART NO.	LEGEND
PESW--1Y	
PESW--6Y	
PESW--8Y	
PESW--9Y	
PESW--11Y	



CAD FILENAME/LAYERS 100318JW\_DC\_C10664/02C

PANDUIT CORP. TINLEY PARK, ILLINOIS

CUSTOMER DRAWING  
 PESW ISO LABELS

REV	DATE	BY	CHK	DESCRIPTION	ECN	R	CUST	SUP
2	02/05/09	JHAC		CHANGED REFERENCE PART SHOWN FROM PESW-A-BY TO PESW-A-9Y, MODIFIED DIMENSION REFERENCE POINTS	5671	R		
1	11/10/08	JHAC		ADDED TABLE. CHANGED DIMENSIONS TO LETTER FORMAT, REMOVED NOTE 2, CHANGED NOTE 3 TO 2, CHANGED NAME FROM PESW-A-*Y TO PESW ISO LABELS.	5585	R		
0	7/22/08	RVU		DRAWING RELEASE	5363	R		

UNLESS OTHERWISE SPECIFIED, DIMENSIONAL TOLERANCES ARE:  
 (.X) ± .1 (.XXX) ± .025  
 (.XX) ± .062 ANGLES ± 5°

UNLESS OTHERWISE SPECIFIED, ALL DIMENSIONS ARE GIVEN IN INCHES, THIRD ANGLE PROJECTION.

DRAWN BY RVU MAT'L: GMV1-OL VINYL FILM  
 DATE 3/24/08  
 CHK'D

SCALE NTS  
 DRAWING NO. C10664  
 DWG SIZE A